

Operating Instructions Vacuum Switch VRP

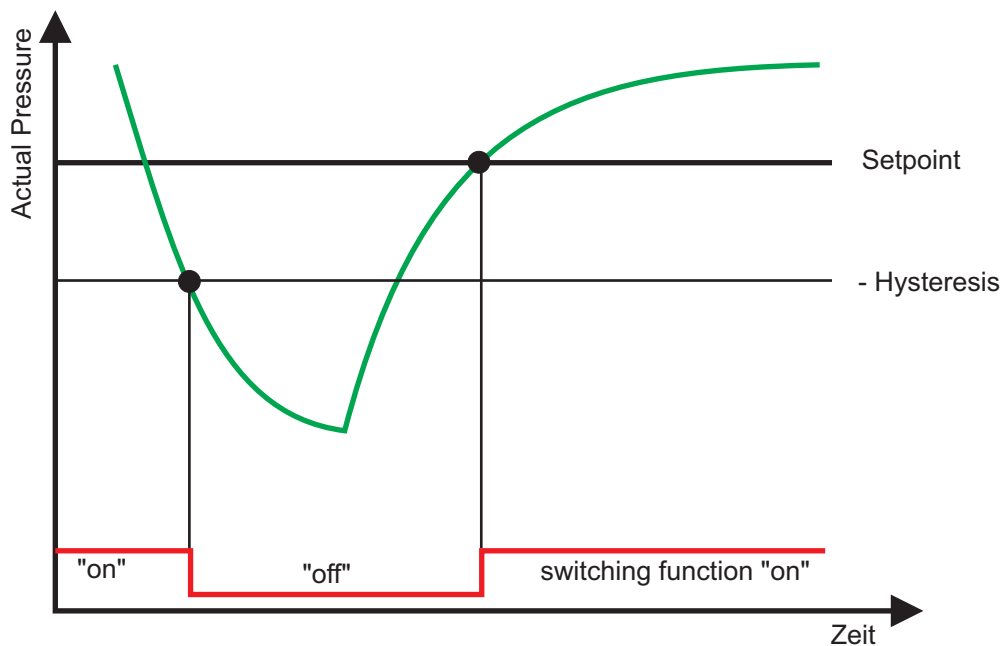
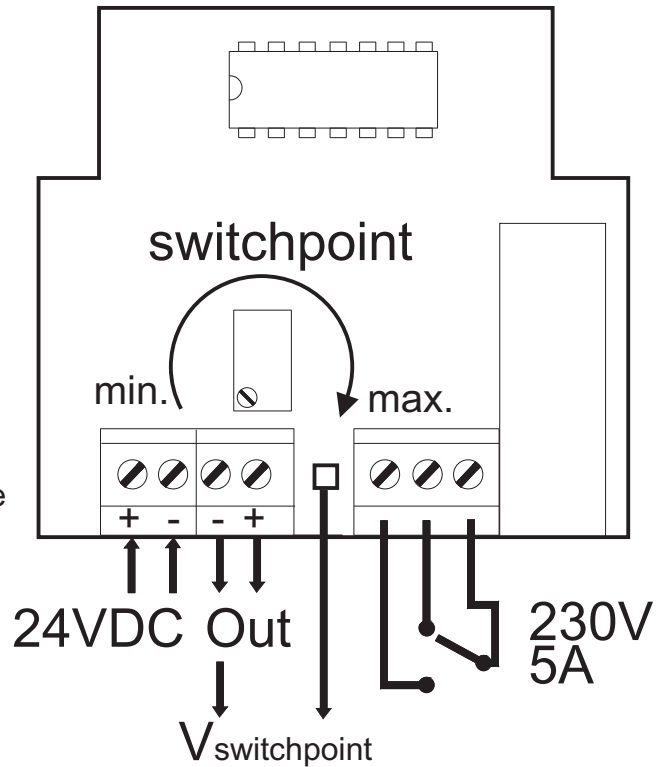
To adjust the switchpoint SP:

Turn the screw of the poti
 right for higher SP;
 turn left for lower SP.
 If a voltage indicator is available,
 the switchpoint voltage
 (1mV = 1mbar) can be measured
 between "-" and "□" (according to
 sensor characteristic).

Analog-Output:

Actual Pressure:
 500 mV - 10 V acc. characteristic curve
 corresponds to 0,001 - 1000 mbar
 Load max. 5 mA

Setpoint:
 50 mV - 1 V acc. characteristic curve
 corresponds to 0,001 - 1000 mbar



Vacuum Switch VRP Output Characteristic

Referenz (mbar)	0 - 1 V (mV)	0 - 10 V (V)
zero	50	0,50
0,001	53	0,53
0,002	56	0,56
0,004	61	0,61
0,007	69	0,69
0,01	76	0,76
0,02	98	0,98
0,04	133	1,33
0,07	175	1,75
0,1	209	2,09
0,2	295	2,95
0,4	405	4,05
0,7	510	5,10
1	579	5,79
2	709	7,09
4	817	8,17
7	880	8,80
10	911	9,11
20	951	9,51
40	971	9,71
70	981	9,81
100	986	9,86
1000	1000	10,00