

VD6

1 Channel Vacuum Display And Control Unit Absolute Pressure 1400 to 1×10^{-4} mbar

The Thyracont VD6 universal vacuum indicator and controller is designed for panel mounting.

Available as complete set with Thyracont transducer type VSC43MA4 (1400 - 1 mbar) or with transducer type VSP63MA4 (1000 - 1×10^{-4} mbar).

A relay monitor on the front panel allows continuous operation control of the two switch points.



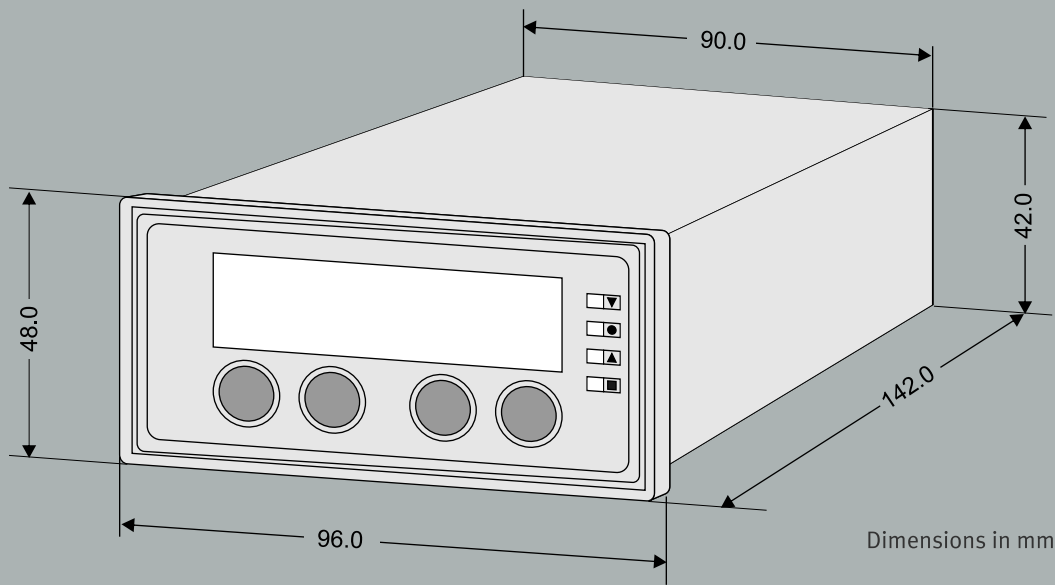
Typical Applications

- Industrial vacuum plants
- Vacuum furnaces
- Mechanical engineering
- Analysis instruments
- Packing machines
- Chemical engineering

Benefits

- 2- or 3-state-control
- 2 independent relay switch points (switch-over), adjustable over the entire range
- Intuitive operation
- Large, high-contrast LED-display
- Thyracont transducers with 4 - 20 mA signal output allow long cable runs
- Foil-protected front panel
- DIN case 96 x 48 mm for panel mounting
- Variable gas type correction factor
- USB interface for process control and documentation
- VacuGraph software: Documentation and evaluation of vacuum processes, programming set points and remote control





Technical Data

Suitable Vacuum Transducers	VCC200MA4, VSC43MA4, VSP63MA4
Display	LED, 13 mm, max. 4 1/2 digit, pressure unit mbar (Torr on request)
Display Refresh Rate	2 Hz (0.5 s)
Sample Rate	20 Hz (50 ms)
Power Supply	VD6S2115: 115 VAC, 50/60 Hz VD6S2230: 230 VAC, 50/60 Hz
Power Consumption	Max. 3,5 W
Fuse	VD6S2115: 200 mA/T VD6S2230: 100 mA/T
Operating Temperature	+5...+50°C
Storage Temperature	-20...+60°C
Signal Input	4 - 20 mA, SubD, 9-pole, female
Control Output	2 x relay contact, potential free change-over switches, Phoenix strip terminal 3-pole each: 2 A / 250 VAC, 1 A / 30 VDC (normal closed) 5 A / 250 VAC, 5 A / 30 VDC (normal open)
Analog Output	0-1 V or 0-10 V
Serial Interface	Mini-USB, type B, Virtual Com Port protocol
Protection Class	IP20
Weight	Approx. 420 g

Product Codes

- **VD6S2115**
For mains supply 115 VAC/ 3,5W, for panel mounting 96 mm x 48 mm, USB interface
- **VD6S2230**
As above, for mains supply 230 VAC/ 3,5W

Complete Sets

- **VD62P230 (1400 - 1 mbar)**
Set 230 V, consisting of controller VD6S2230, transducer VSC43MA4 and measuring cable 2 m
- **VD64P230 (1000 - 1 x 10⁻⁴ mbar)**
Set 230 V, consisting of controller VD6S2230, transducer VSP63MA4 and measuring cable 2 m

Accessories:

- **VGR**
VacuGraph software for windows
- **WUSB0002**
PC cable USB, shielded, 2 m